

SHAPING DISCS

- To remove dead skin from hands and feet.
- For rough skin use the Rough Disk (jagged edges) 7. For smoother skin use the Coarse Disk (round dots) 8. Lightly apply the disk to rough skin areas on the soles, at the heel and even on the hands.
- Move manicure tool in aback and forth motion, gently exfoliating the skin surface.
- Disce (9,10) use to file and sculpt nails.

BUFFING DISC

- Used to lightly polish the nails at the end of the manicure/pedicure treatment.

LARGE FILING CONE

- To file and treat the surface of thick toenails.

SMALL FILING CONE

- To file and treat the surface of thick toenails and fingernails. Use this attachment like the large conical file.

CLEANING BRUSH

- To clean nails at the end of filing session.

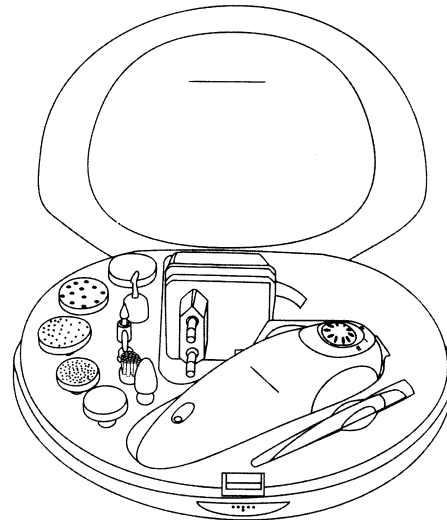
ADVICE

- For better performance of the product, do not wet your hands or feet before treatment. Do it once the manicure or pedicure is completed.
- Finish your treatment by soaking hands in warm, soapy water, and then apply hands and nail cream. This will help to keep hands hydrated and protect nails.

CARE AND CLEANING

- Switch off the appliance, unplug from the power supply and allow it to cool fully.
- Wipe over the housing of the appliance using a soft damp cloth.
- Do not use abrasive cleaners.
- The attachments can be cleaned with rubbing alcohol.

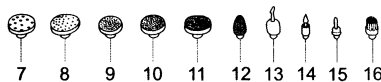
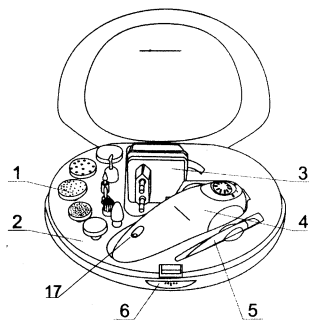
TRP-11



4

DESCRIPTION

1. Attachments
2. Body
3. Adaptor
4. Motor unit
5. Cuticle lifter
6. Lid open button
- 7-10. 4 shaping discs
11. Buffing disc
12. Large filing cone
13. Hoof cone
14. Point filing cone
15. Small filing cone
16. Cleaning brush
17. Indicator



IMPORTANT SAFEGUARDS

- Please read this instruction manual carefully before use and keep in a safe place for future reference.
- Before the first connecting of the appliance check that voltage indicated on the rating label corresponds to the mains voltage in your home.
- Do not use the appliance for any other purposes than those described in this instruction manual.
- Home use only. Do not use for industrial purposes.
- Do not reach the appliance if it falls into water. Unplug immediately.
- Always unplug the appliance from the power supply when not in use and before cleaning.
- To protect against the risk of electric shock, do not immerse the appliance in water or in any other liquids.
- Keep away from children.
- Do not use other attachments than which supplied.
- Never carry the adaptor by the cord.
- Do not operate after malfunction or damage of cord.
- Do not attempt to repair, adjust or replace parts in the appliance. Repair the malfunctioning appliance in the nearest service center.

2

BEFORE USING FOR THE FIRST TIME

RECHARGE THE UNIT

- The unit must be charged for at least 24 hours before the first use to ensure that the batteries are fully charged. The normal recharging time is 6 hours for full recharge.
- Turn the switch to 0 (off position).
- Connect the adaptor plug to the socket at the motor unit and then plug the adaptor to the electrical socket.
- Unplug adaptor before use.

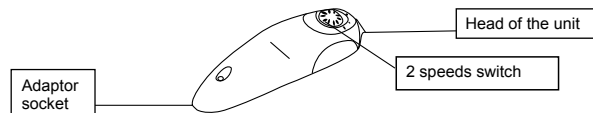
Note: to ensure long service life you should regularly discharge the appliance completely before charging it again.

USING THE ADAPTOR

- The unit can be used as direct-drive with the adaptor.
- Use only the adaptor supplied with this manicure/pedicure set.
- Connect the unit to the adaptor cord and plug the adapter to the electrical socket.
- A 30 second charge up time is required with usage of the direct-drive feature.

INSTRUCTION FOR USE

- To connect the Attachments to the motor unit, directly push them in.
- To remove them, just pull them off the head of the unit.
- Make sure that the motor unit switch is in the off position before connecting or removing attachments.
- You can chose between two speeds, which can be regulated with the switch.
- You can choose between clockwise and anticlockwise moving of the attachment for better filing.



3